

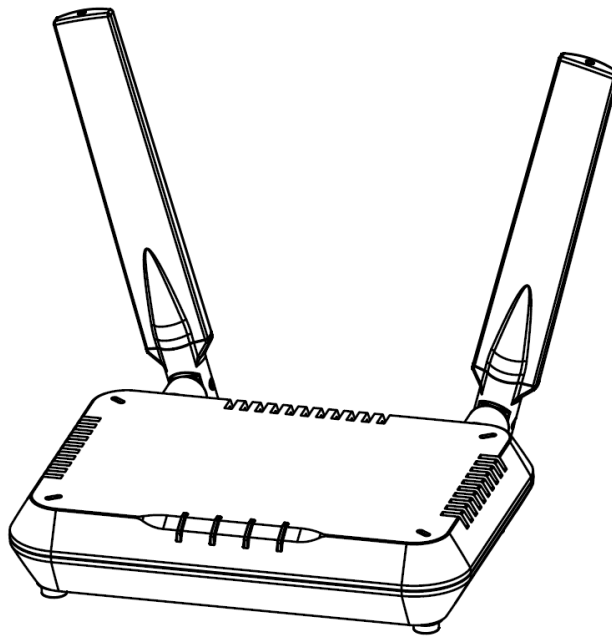
# Product Brief

**Model: TLG3901V2**

**Ver.1.1**

## ***All-in-one Gateway***

(Japan version)



## INDEX

1. Description.....	3
2. Features .....	3
3. Applications .....	3
4. Product Specifications .....	4
5. LED and I/O Description.....	5
5.1. LED indicator .....	5
5.2. I/O description .....	5
6. Mechanical Drawing .....	6

## 1. Description

TLG3901V2 Series is defined a light weight gateway that offer you a secured LoRaWAN network solution. The fine design is especially suit for home and office IoT applications. No matter where the gateway locates, it mixes in your decoration easily.

Based on Semtech SX1308/SX1272 and MTK MT8516A chipset designs, it offers LoRa, 2.4GHz wireless transmission and Ethernet for various connectivity. TLG3901V2 support Full duplex mode, Sender can send the data and also can receive the data simultaneously. The configuration of website is designed from user's point of view and we make it easier for setting.

## 2. Features

- Light weight and fine design
- Wide variety of connectivity interfaces include LoRa, 2.4GHz wireless and LTE.
- Micro USB for power supply
- Standard USB for memory extension, 3G/4G dongle plug-in.
- Easy settings for user from web configuration
- Support Full duplex mode

## 3. Applications

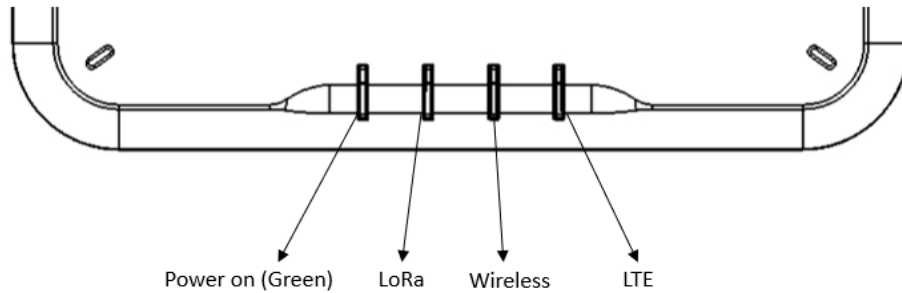
- Smart home
- Smart office
- Smart classroom
- Smart mall

#### 4. Product Specifications

Model	TLG3901V2
RF Chip	Semtech SX1308 Semtech SX1272
SoC	MT8516A ARM Cortex-A35
Frequency Range	920~928MHz for JPN LTE FDD: B1/B3/B8/B18/B19/B26 LTE TDD: B41 WCDMA: B1/B6/B8/B19
Flash	256MB
Memory	512MB
<b>Network Communication</b>	
LoRa	Spreading spectrum
LTE	EC25
wireless transmission	2.4GHz
LAN	Ethernet 10/100
<b>System</b>	
LoRa Antenna	2dBi x 2
Wireless Antenna	4dBi
LTE Antenna (TLG3901BL only)	0 dBi@699~960 MHz; 2.6dBi @ 1710~2700 MHz
LED indication	PWR/LoRa Status/Wireless/LTE
Interface	RJ45 x1 Micro USB x1 (power) Standard USB 2.0 x1 (external storage)
Dimension (mm)	150.6*107.26*33mm (include the rubber foot)
Operating Voltage	5V 2A
Operation Temp.	0~55° c
Storage Temp.	-20~70° c
Accessories in package	USB charging cable * 1 LoRa Antenna * 2
Accessories (optional)	USB power adapter Input: Universal 100 ~ 240 Vac / 50 ~ 60 Hz, Output: 5 V / 0 ~ 2 A
Certificate	TELEC and VCCI

## 5. LED and I/O Description

### 5.1. LED indicator



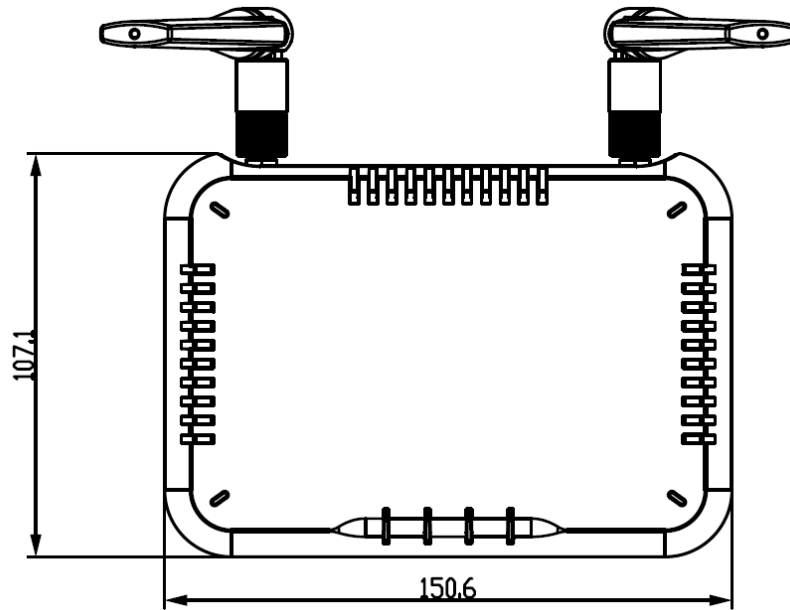
<p><b><u>Power:</u></b></p> <ul style="list-style-type: none"> <li>● Power on (Green),</li> <li>● Factory default (Red)</li> </ul>	<p><b><u>LoRa Status:</u></b></p> <ul style="list-style-type: none"> <li>● Flashing green</li> </ul>
<p><b><u>Wireless:</u></b></p> <ul style="list-style-type: none"> <li>● Wireless transmission on (flashing green)</li> </ul>	<p><b><u>LTE :</u></b></p> <ul style="list-style-type: none"> <li>● Flashing green</li> </ul>

### 5.2. I/O description

- RJ-45: Wired LAN connections
- Standard USB: External storage
- Micro-USB: Power by plugging into the USB power cable
- Factory reset button: Press the button for factory default reset

## 6. Mechanical Drawing

Unit: mm



Unit: mm

