

## Product Brief

**Model: LAT-122B**

Ver.1.2

**LoRa Bridge**



## Content

1. Description.....	3
2. Features .....	3
3. Application.....	3
4. Product Specifications .....	3
5. H/W Functions .....	4
6. Mechanical Drawing .....	4
7. Package .....	5
8. Scenario Illustration.....	6

KIWI CONFIDENTIAL

## 1. Description

LAT-122B is a slim design product that combines BLE (Bluetooth Low Energy) and LoRa (Long-Range) communications for indoor use. It connects Beacons and transmits the data to LoRa gateway, and the user can easily to monitor the Beacons status in server.

## 2. Features

- Beacon position transmission every 5 seconds.
- Easily positioning
- Micro-USB power supply
- Friendly Web UI and APP

## 3. Application

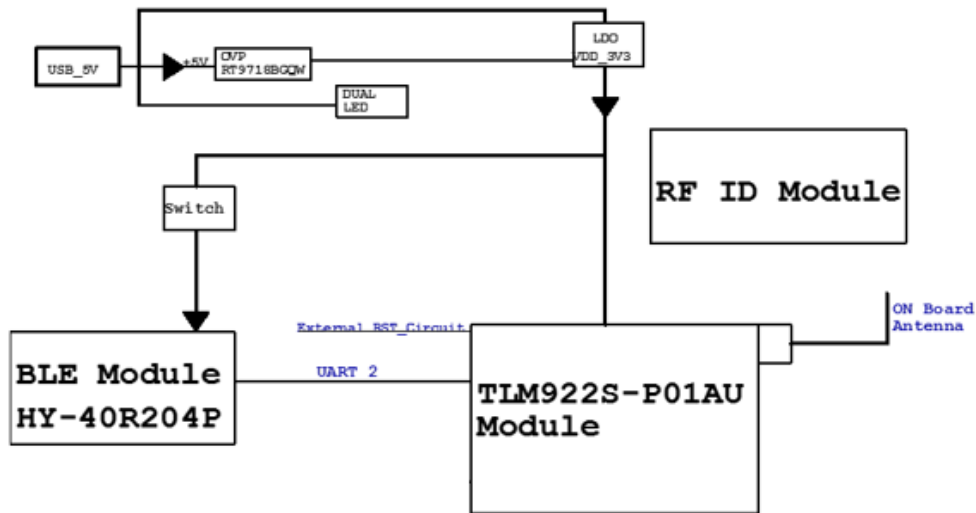
- Smart factory and smart warehouse
- Smart office
- Staff move tracing and management

## 4. Product Specifications

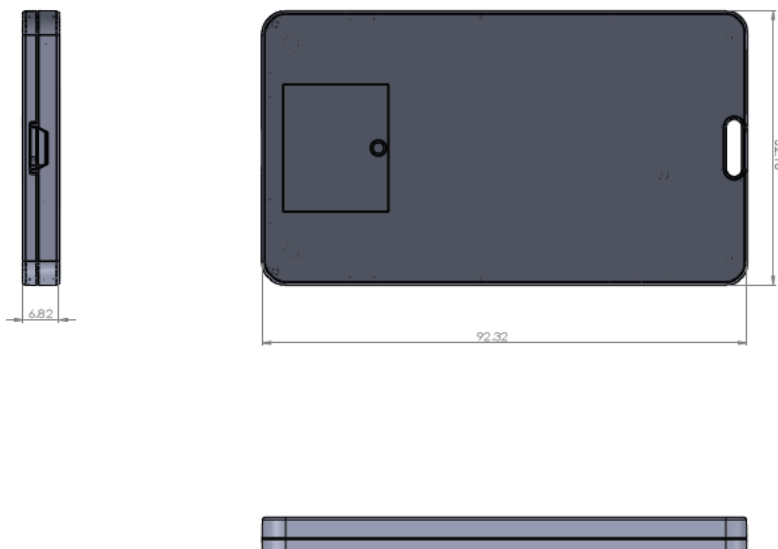
Product Specification	
LoRa Chip	TLM922S-P01A
Blue tooth	BLE 4.2 TI CC2640R2
Frequency	902~928MHz
TX Power	13dBm (JPN)
Sensitivity	-136dBm@0.292Kbps SF=12
Power consumption	5V/ max. 150mA
Antenna Type	on board
Charger Connector	Micro USB
LED indication	PWR LED, power on Green
Dimension	52.18 * 92.32 * 6.82 (mm)
Operation Temp.	-10~60 °C
Storage Temp.	-20~70 °C
Certification	TELEC/VCCI

## 5. H/W Functions

- Micro USB port for power input, the over voltage protection can be up to 5.8V
- FW upgrade and configuration setting can be done through USB port (UART interface)
- HW block diagram (Note: G-Sensor dose not solder on)



## 6. Mechanical Drawing



## 7. Package



## 8. Scenario Illustration

