

## Product Brief

Model: LAR-F01J

Ver.1.0

### MyEZMeter LoRa Meter Reader



## Content

1. Description.....	3
2. Features .....	3
3. Application.....	3
4. Product Specifications .....	4
5. Block Diagram .....	5
6. Mechanical Drawing .....	5
7. Accessory .....	6

KIWI CONFIDENTIAL

## 1. Description

LAR-F01 is an innovation AI remote water meter reader which adopts low power, long range and wide area transmission based LoRaWAN™ technology. It integrates Kiwi Technology's unique know-how, a powerful ARM-based M7 MCU of STMicroelectronics and an OmniVision image processor to practice the smart image recognition and transmit it wirelessly to the available LoRaWAN™ network. This kind of AI technology can be widely implemented on different figure recognition and Kiwi Technology adopts this to fulfill customers' various demands.

## 2. Features

- AI Excellent figure recognition.
- High water proof level IP67.
- Easy to install on the meter device.
- Easy to activate engineering mode via Micro-USB (need a UART to USB cable).
- Long battery life span and low power consumption.
- Save human power on metering data record.

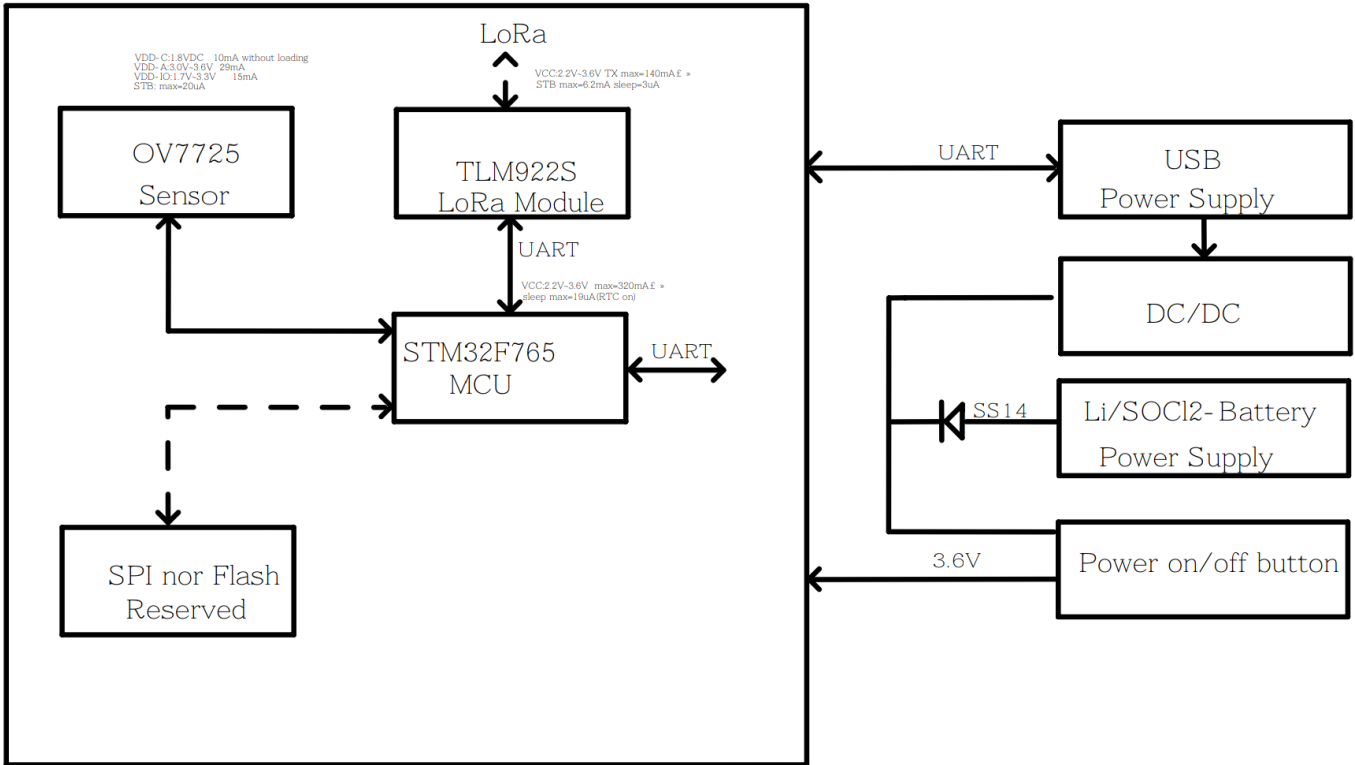
## 3. Application

- Smart factory
- Smart building
- Smart supermarket

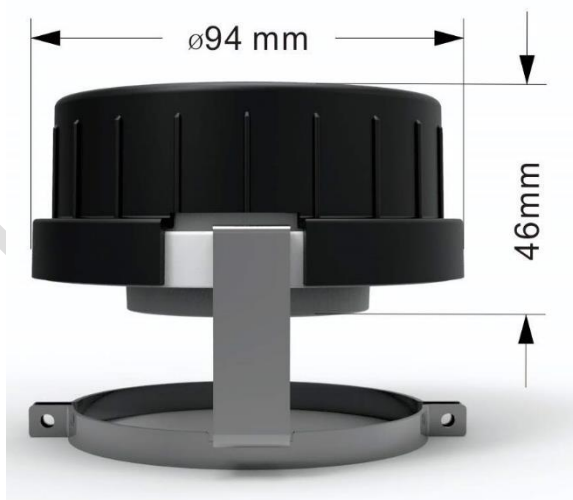
## 4. Product Specifications

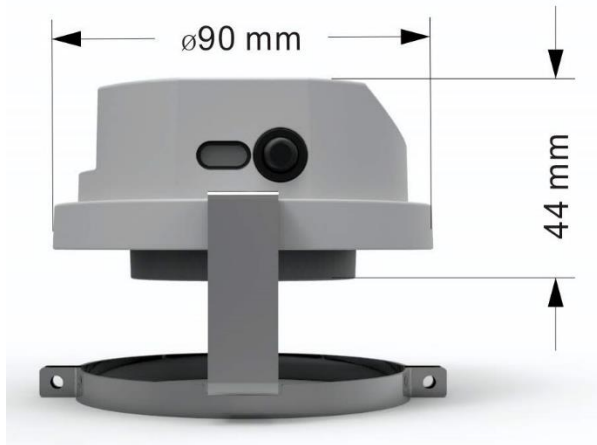
<b>ELECTRICAL</b>	
MCU	STM32F765
LoRa Module	TLM922S-P01A
Frequency	920MHz~928MHz
Sensitivity	-138dBm
Camera	OV7725
USB Interface	Micro USB for Engineering mode
Button	Power ON/OFF
LED	Built-in LED for camera flashlight
Battery	ER14505M 2100 mAh Battery 2 in 1
Antenna	PCB antenna, 2.5dBi
<b>MECHANICAL</b>	
Dimension	Φ 94mm X 46mm
Color	Light shielding cover – Black Top/Bottom case – Transparent
Materials	Top/Bottom case – PC Light shielding cover – ABS
Light shielding cover	ABS
Weight	170g (with Battery and Light shielding cover)
Water proof	IP67
Operation Temperature	-20°C ~ +60 °C
Storage Temperature	-30°C ~ +70 °C
Certificate of Compliance	TELEC/VCCI (on going)

## 5. Block Diagram






## 6. Mechanical Drawing





## 7. Accessory

Item	Description	Quantity
	Main unit	1
	Screw (M3 x 14 GB/T2672) Nut (M3 x GB/T6170)	2 for each item
	Metal bezel	2