

## Product Brief

**Model: LAS-604V3**

**Ver.1.3**

***LoRa Temperature Sensor***

## INDEX

1. Description.....	4
2. Features .....	4
3. Applications .....	4
4. Product Specifications .....	4
5. Mechanical Drawing .....	6
6. Display:.....	6

## History

<b>Date</b>	<b>Version</b>	<b>Revision Description</b>	<b>Writer</b>
2019/08/12	V.1.0	First release	Chris Chuang
2019/11/19	V.1.1	P.4 – add “902~928 MHz for US” P.5 – update cable length: 300cm and 500cm	Cliff
2020/02/06	V1.2	P.4 – Remove Two operation report modes P.4 –Measuring and Recording Interval/ Transmission Interval : remove mode B	Marvin Mei

## 1. Description

LAS-604V3 is a temperature sensor that utilizes LoRaWAN to periodically report temperature. The temperature measurement is through PT100 probe. In addition, LAS-604V3 will retrieve date time for synchronous from server at boot up which make sure the accuracy of report time period.

## 2. Features

- Slim design
- Wide temperature measurement
- Data logger and wireless transmission to server
- High accuracy RTD thermometer probe
- Easy to replace the battery without special tools.
- Low power and long battery life
- Easy settings for user from web configuration

## 3. Applications

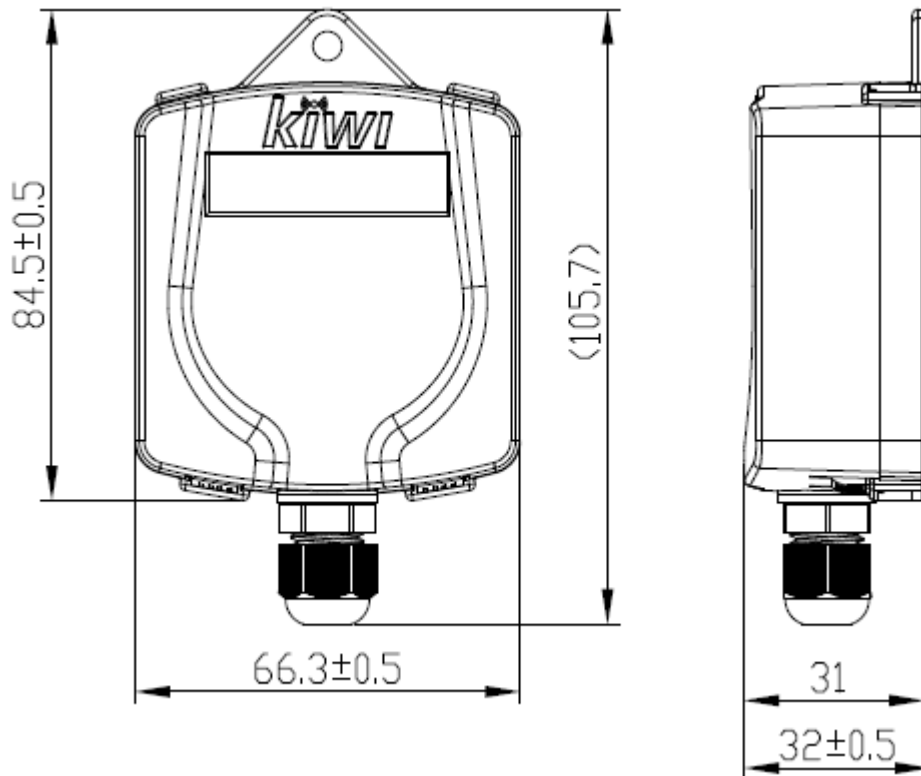
- Smart Logistics and warehouse
- Smart supermarket
- Smart refrigerator and freezer

## 4. Product Specifications

Item	Specifications
Measurement Range	-60°C ~ 200 °C
Accuracy	± 0.3 °C at -20 °C to 80 °C
	± 0.5 °C at -40 °C to -20 °C, 80 °C to 110 °C
	± 1.0 °C at -60 °C to -40 °C, 110 °C to 200 °C
Temperature Resolution	0.1 °C
Measuring and Recording Interval	Detect every 5 minutes
Transmission Interval	Hourly report, reporting period can be 1~24 hours, default is 1 hour.
Communication Frequency	920.6~928MHz for JPN 902~928 MHz for US
Radio Range	depends on environment interference
Dimension	66.3 x 84.5 x 32 mm, without the connector
Probe	Probe: φ 2.3mm Cable length: 300cm and 500cm
Protection	IP64
Antenna Gain	< 1dBi
Antenna Impedance	50ohm

Battery type	Lithium battery two cells pack, 2400mAhx2
Weight	120 g $\pm$ 15g
Operation Temperature	-20°C ~ +70°C
Storage Temperature	-30°C ~ +70°C
Working Relative Humidity	5%~95%
Power Consumption	<0.6W
Certification	TELEC/VCCI/FCC

## 5. Mechanical Drawing



## 6. Display:

Show 3 digits of temperature, and one digit after decimal.

